



Features

- CPU: Intel® Core™ i7-7500U
- Memory: DDR4 16GB
- Display: 10.1" ,1920*1200
- Magnesium aluminum alloy structure, Circular Connector reserved radio space
- Support portable rocker, customizable communication protocols
- Protection level: IP65
- Operating temperature: -20° C ~ +70° C

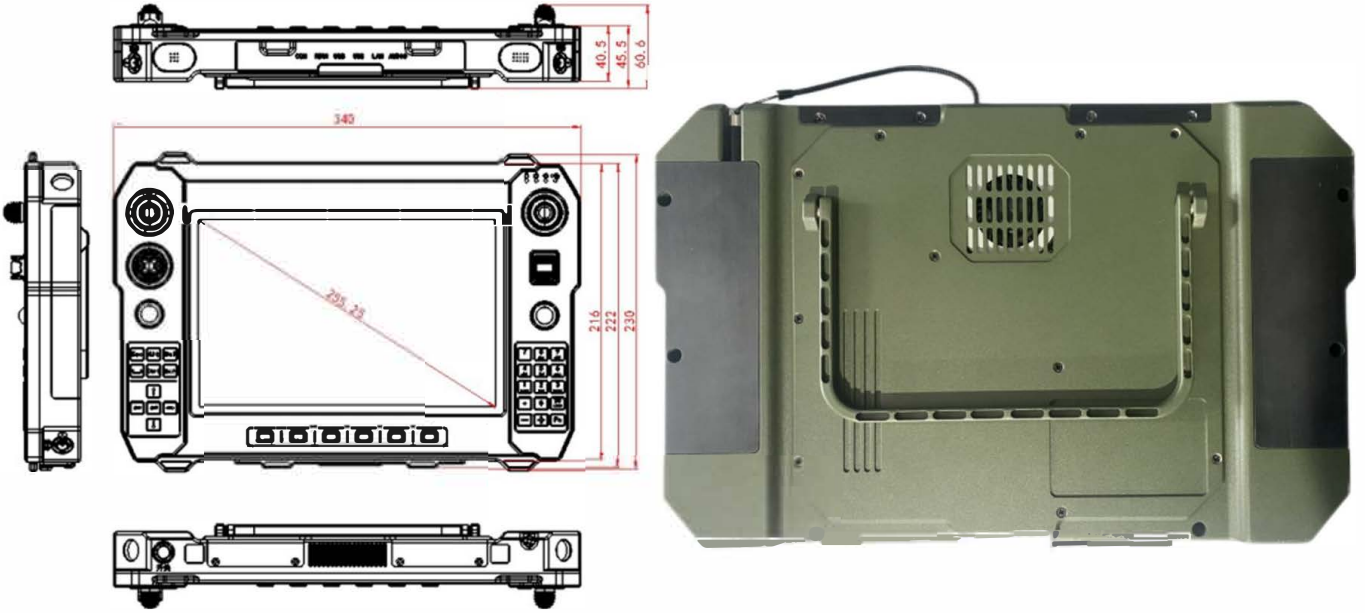
Description

This is a special equipment for UAV ground station, with the advantages of high system configuration and strong working stability, and equipped with multi-functional rocker and multi-channel shortcut button for easy operation. The 10.1" bright high-resolution display supports sunlight-readable. Built-in large capacity battery, it can work no less than 3 hours in the case of no external power supply. With magnesium aluminum alloy structure and reinforced anti-vibration design, circular connectors, IP65 protection grade, it also supports wide voltage, wide temperature work.

Specifications

System	CPU	Intel® Core™ i7-7500U Optional : i7-8550U/i7-6600U/i5-8250U/i5-7200/i5-6200U
	Core/Frequency	Dual core and four threads 2.7GHz
	Memory	16GB DDR4 (MAX:32GB)
	Storage	M.2 512GB SSD (Optional dual hard disk and one-click destruction function)
	Display	10.1". 1920*1200 Resolution. 900cd/m2 Brightness
	Touch screen	Capacitive touch screen
	Power Supply	19~24VDC
	Battery	8000mAh
	External interface navigation	1 * DCIN, 1 * Lan (10/ 100/ 1000 Mbps) 2 * USB2.0 (Same navigation port) 、 1 * RS232/485/422)
	Shortcut actions	Directional rocker *2, Trigger button *2, Thumb push lever *1, Shortcut key *26
Physical	Dimension	340 * 230 * 41 mm
	Protection Level	IP65
	Weight	≈3KGS
OS	OS supports	Support Windows7/10/Linux
Environment	Working temperature	-20°C ~ +70°C
	Storage temperature	-30°C ~ +80°C
	Working humidity	5% ~ 90% Non-condensing

Dimension & I/O LOCATION Unit : mm



Packing List

Item	Parameter
Power Cord	1 Unit (L=1.5m)
Power adapter	1 pc
Avigation connector	1 pc
Conformity Certificate	1 pc

Order Information

Item	Configuration
	Core i7-6600U Processor
	Core i7-8550U Processor