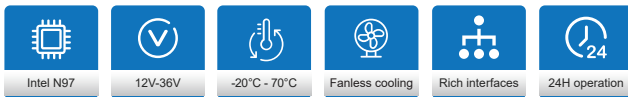


Industrial computer model is a compact and small-sized industrial computer with SGCC closed body + full aluminum back fins, which is sturdy, dust-proof, and highly efficient in heat dissipation. Internal integrated special board design, no redundant cables, more stable and reliable. Supports Intel N97, Quad-Core High-Perf. CPU , providing excellent computing performance and response speed. With 2*2.5 GbE+2*GbE high-speed quad-network communication and rich I/O interfaces, the high bandwidth + multi-expansion capability will accelerate the process of industrial intelligence and is suitable for industrial automation, vision inspection, data acquisition, edge computing and other scenarios.

Product Features >>

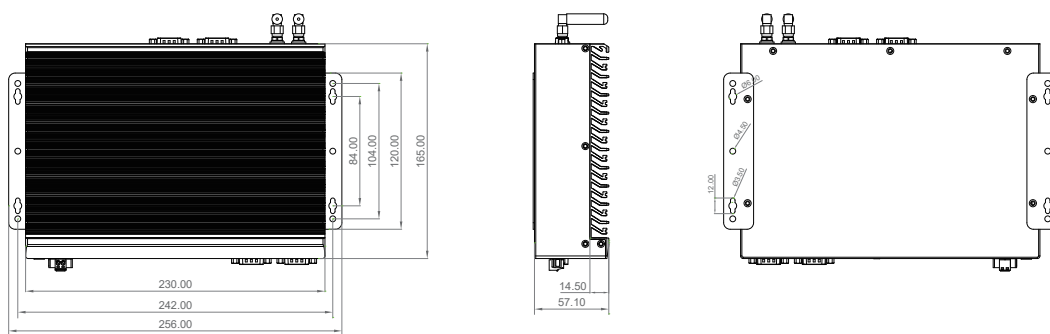
- SGCC Closed Chassis + Large Aluminum Fins for Heat Dissipation
- Intel N97, Quad-Core High-Perf. CPU @ 3.6GHz
- 8*USB+6*COM+12Pin industrial terminal+16*GPIO
- DP+HDMI multi-screen 4K/HD display
- Industrial-grade wide temperature and pressure/EMC/ESD/anti-vibration protection



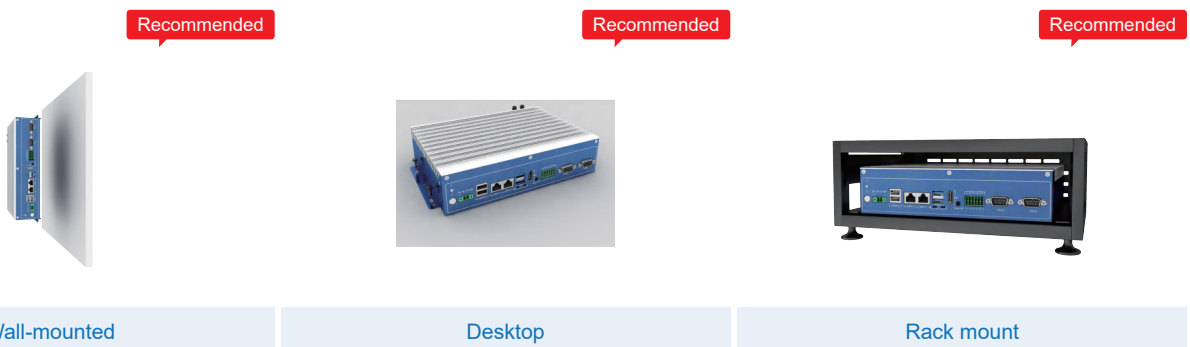
Model >>

Model	OVPC-210-CX-N97
Processor	Intel N97, Quad-Core High-Perf. CPU @ 3.6GHz

Dimension >>



Installation >>



Product Parameter

Configuration

CPU	Intel N97, Quad-Core High-Perf. CPU @ 3.6GHz
Cache	1.5 MB Intel® Smart Cache
Memory (RAM)	4GB/8GB/16GB DDR
Storage	64GB/128GB/256GB SSD, Optional 512GB/1T/2T/4T
Wi-Fi	2.4G/5G
Bluetooth	BT4.0
OS	Windows 10/11, Ubuntu/Centos/Redhat/Debian
Decoding Resolution	Supports up to 4K@60Hz
GPS	Internal GPS module (optional)
Network Support	4G, Ethernet, Wi-Fi/Bluetooth Support & Wireless Peripheral Expansion

Interface Parameters

Power Switch	1*POWER
Power Supply Port	1*2P Phoenix terminal (Supports 12-36V power input)
Phoenix Terminal	1*12P Phoenix terminal
HDMI	Supports HDMI data output up to 4K.
DP interface	1*standard DP output connector
Serial Port (Computing)	Supports 5*RS232 serial sockets and 1*485
USB	2*USB3.0 TYPEA standard socket ports, 6*USB2.0 TYPEA standard socket ports
RJ45 Ethernet	4*Inter 10M-1000M Adaptive RJ45 ports
Audio	1*Audio I/O, support audio input and output, headphone holder: 3.5mm standard interface
GPIO	Support 8*GPIO
WIFI+BT	Built-in M.2 PCIE protocol WIFI , USB protocol Bluetooth 5.0
WiFi Antenna	2*WiFi antenna
Grounding Post	Support (1*GND)

Reliability Parameters

Operating Temperature	-20°C ~ 70°C
Storage Temperature	-30 °C ~ 80 °C
Relative Humidity	5% to 95% (non-condensing)

Other Parameters

Power Input	DC IN 12-36V
Power Adapter	DC 24V/2.5A adapter (optional)
Material	Aluminum alloy
Color	Silver + Dark Blue
Bare Weight	1.25kg
Fully Assembled Weight	1.6KG
Installation Methods	Supports wall-mounted, desktop, rack-mounted

I/O Ports >>

