

10-Inch RUGGED VEHICLE TABLET

It is a 10-inch rugged in-vehicle tablet designed for Internet of Vehicle applications, including fleet management, public transportation, precision agriculture, special machinery, etc. It is equipped with a 1200 nits high-brightness display to ensure clear visibility even in direct sunlight; IP67 level waterproof and dustproof design ensures stable operation even in harsh outdoor environments; Android 13 system and up to 2.0GHz octa-core processor providing high-performance computing and expansion capabilities; built-in 4G/WiFi/BT and multi-mode connections, GNSS satellite positioning function and CANBus protocol help realize real-time tracking and communication services. With this tablet, enterprises can improve the efficiency of fleet management and solution companies can provide more competitive products.



Android 13



High Brightness



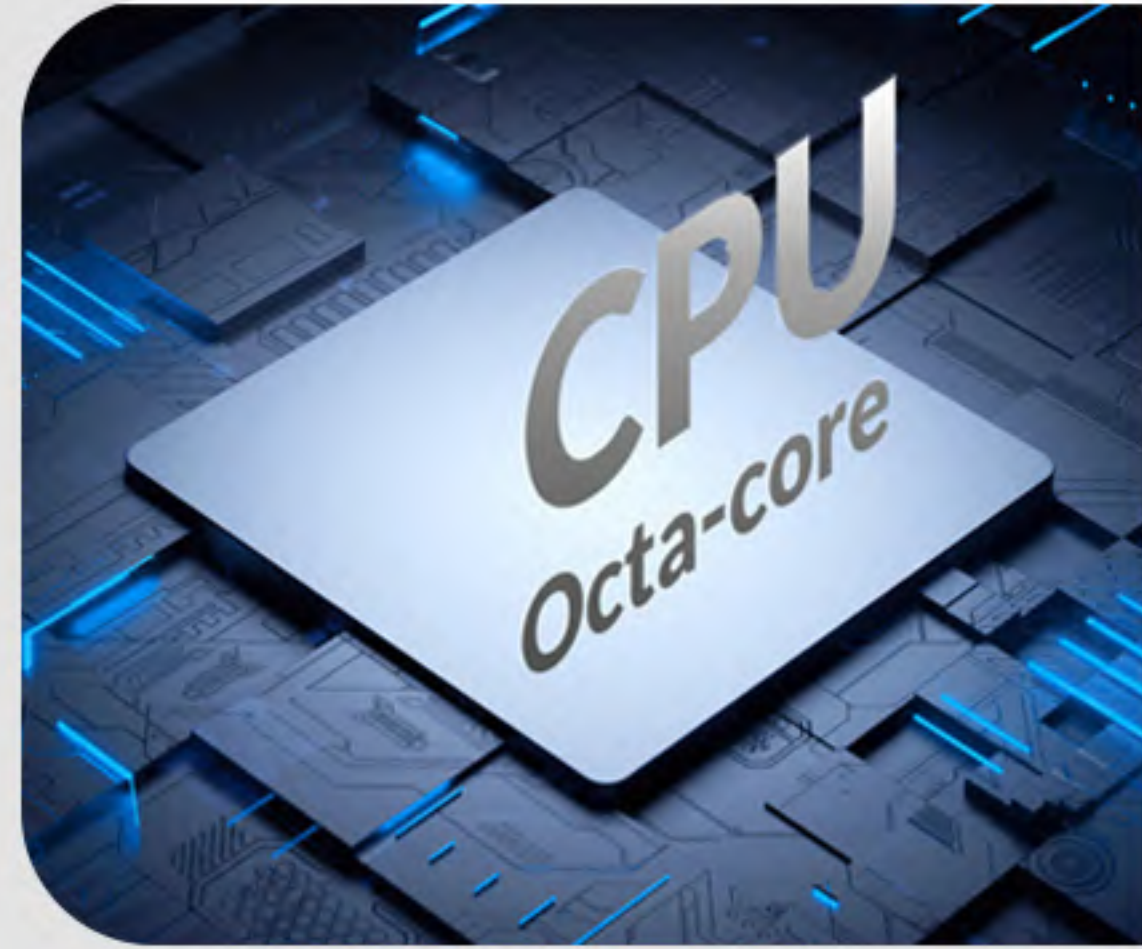
4G
GPS
Real-time



IP67



ODM/OEM



Octa-core CPU

Qualcomm octa-core CPU, Kryo Gold (quad-core high performance, 2.0 GHz)+ Kryo Silver (quad-core low power consumption, 1.8 GHz), which is suitable for multitasking and complex computing scenarios with its high performance and energy efficiency.



Android 13

Powered by Android 13, it ensures consistent, stable, and reliable performance with seamless and efficient operation of applications.



Real-time Communication

Support LTE, HSPA+, dual-band Wi-Fi (2.4GHz/5GHz) and Bluetooth 5.0 LE, covering mainstream wireless protocol. With the four satellite systems of GPS+GLONASS+BDS+Galileo, it can realize quick position at any time and place.



1200 Nits & Customizable Screen

10-inch 1280*800 HD screen with 1200 nits brightness, users can clearly read screen in outdoor strong light environments. Supporting customized glove touch and wet touch screen, well touch response can be achieved whether gloves are worn or the screen is wet.



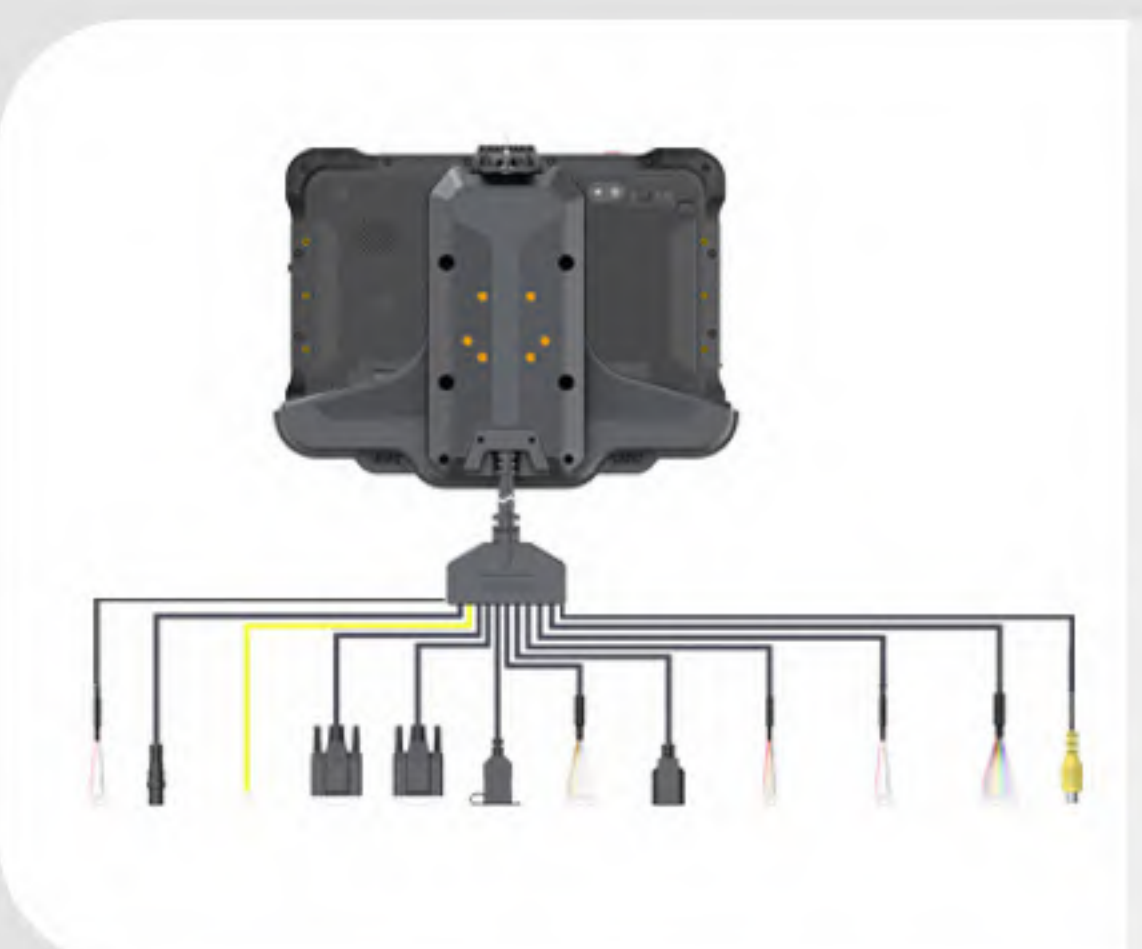
Rugged and Reliable Design

Featuring a 7H hardness touchscreen, the tablet effectively resists scratches and wear. The IK07-rated shell withstands 2.0 Joule mechanical impacts. Comply with IP67 and MIL-STD-810G standards ensures protection against dust, water ingress, and vibration.



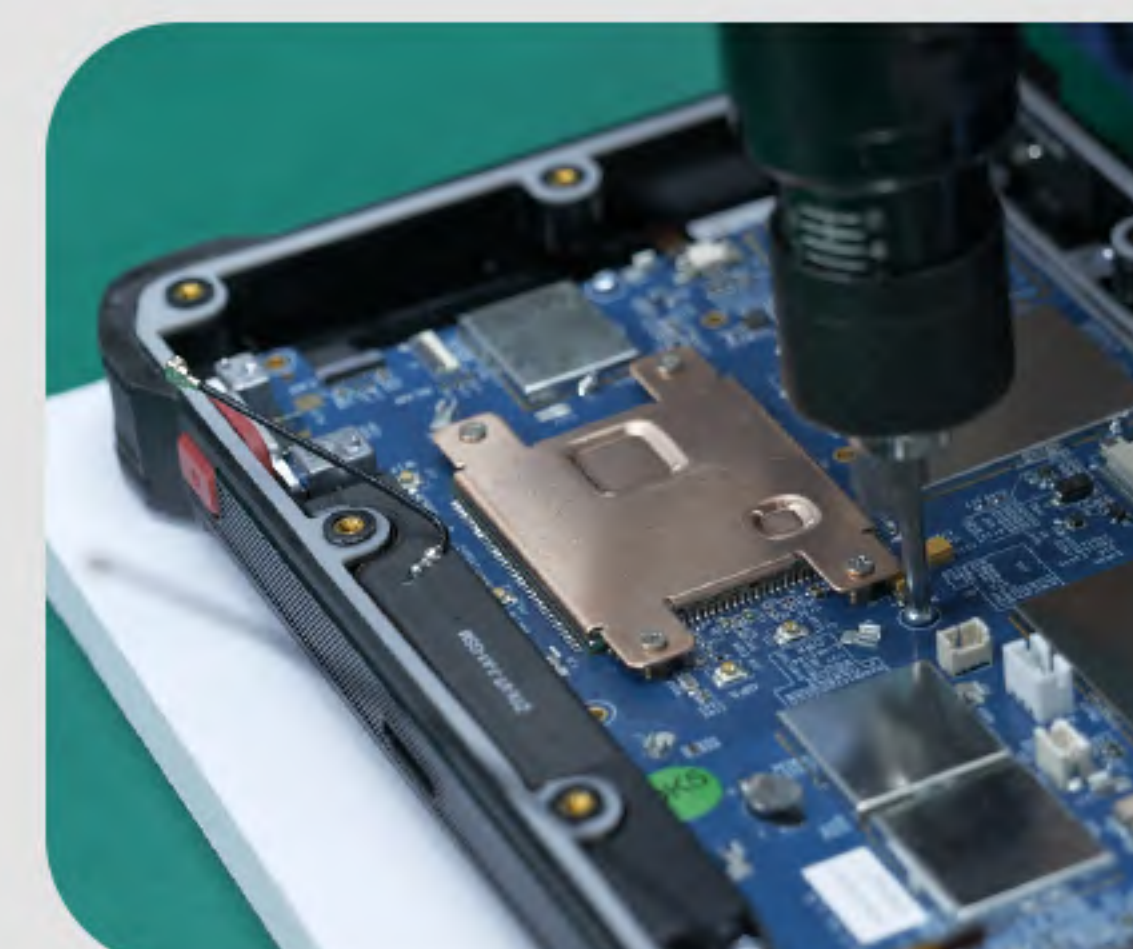
ISO 7637 -II

DC8-36V wide voltage power input design. Comply with ISO 7637-II standard transient voltage protection. Withstand up to 174V 350ms vehicle power pulse.



Rich Extended Interfaces

Rich extended interfaces including GPIO, RS232, CAN 2.0b (optional dual channel), RJ45, RS485, video input, etc., can be applied to vehicle equipment connection and vehicle control.



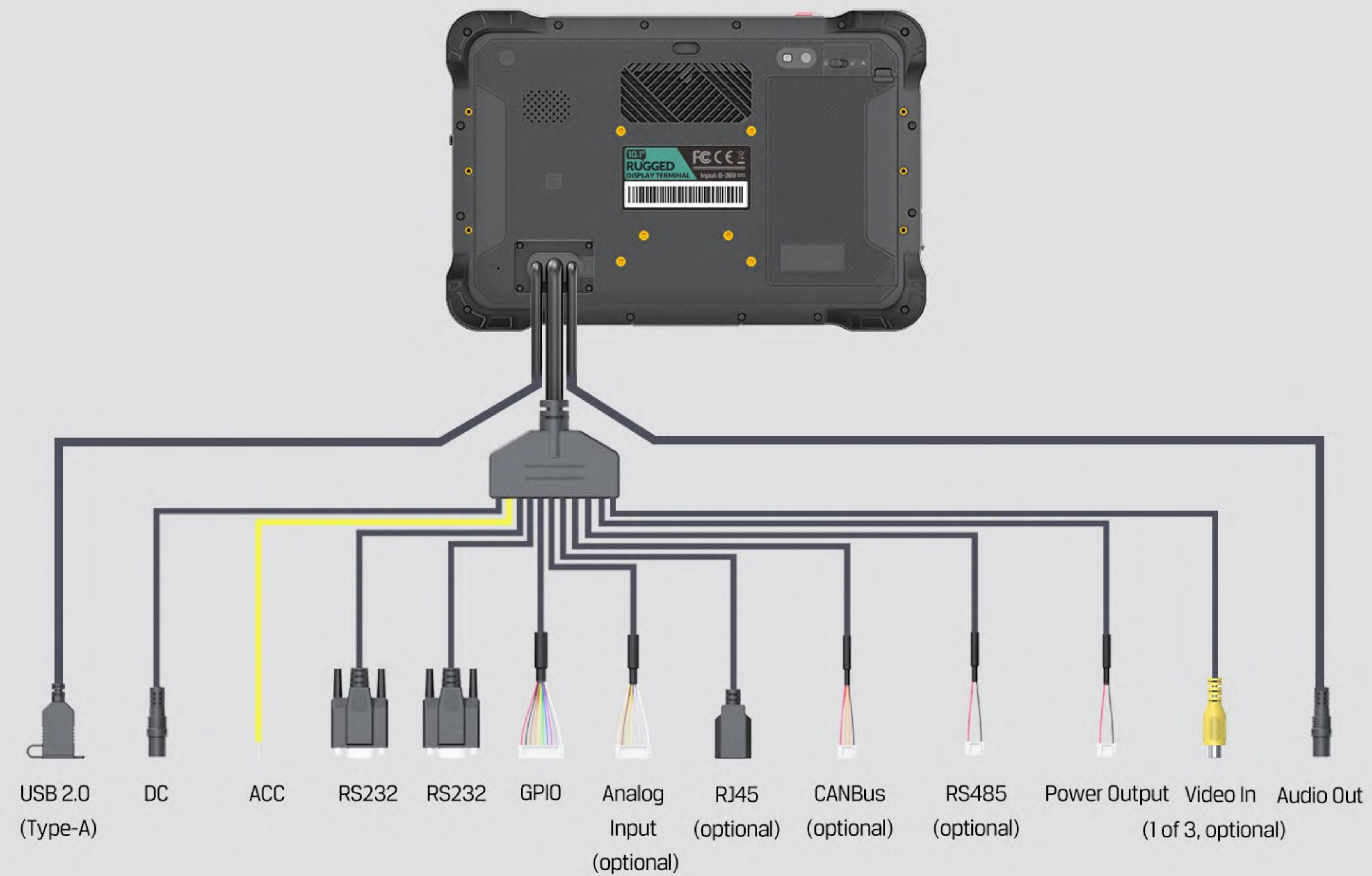
Customized Service (ODM/OEM)

Integrate multiple functions, such as NFC, eSIM card and Type-C, more functions can be customized according to different needs.

SPECIFICATION

SYSTEM	CPU	Qualcomm Octa-core, 4×A73, 2.0GHz and 4×A53, 1.8GHz	FUNCTIONAL MODULE	LCD	10.1 inch HD (1280×800), 1200cd/m ² high brightness, Sunlight readable
	GPU	Adreno TM 610		Touchscreen	Multi touch capacitive touchscreen; Support customization of glove touch and wet touch screen
	Operating System	Android 13		Camera (Optional)	Front: 5 MP Rear: 16 MP with LED light
	RAM	4GB RAM (default) / 8GB (optional)		Sound	Build-in speaker 2W, 85dB Internal microphones
	Storage	64GB FLASH (default) / 128GB (optional)		Interfaces	Type-C, Compliant with USB 3.0, (For data transfer; support OTG) Docking connector×1 (POGO-PIN×24) SIM Card ×1 (default); eSIM×1 (optional) Headset jack ×1
	Storage Expansion	Micro SD card, up to 1TB		SENSORS	Acceleration, Ambient Light, Compass, Gyroscope
	GNSS	GPS/GLONASS/BDS/Galileo/QZSS; Internal Antenna (default); External SMA antenna (optional)		PHYSICAL CHARACTERISTICS	Power
2G/3G/4G	US Version North America	LTE FDD: B2/B4/B5/B7/B12/B13/B14/B17/B25/B26/B66/B71 LTE-TDD: B41; Internal Antenna; External SMA antenna (optional)	Physical Dimensions		277×185×31.6mm (W×H×D)
	EM Version EMEA/Korea/Australia/Latin America	LTE FDD: B1/B2/B3/B4/B5/B7/B8/B20/B28 LTE TDD: B38/B39/B40/B41 WCDMA: B1/B2/B4/B5/B8 GSM: 850/900/1800/1900 MHz; Internal Antenna (default), External SMA antenna (optional)	Weight		1450g
COMMUNICATION	WIFI	802.11a/b/g/n/ac;2.4GHz&5GHz	Vibration Test		MIL-STD-810G
	Bluetooth	2.1 EDR/3.0 HS/4.2 BLE/5.0 LE	Dust Resistance Test	IP6x	
	NFC (Optional)	Operates at 13.56MHz (HF)	Water Resistance Test	IPx7	
		<ul style="list-style-type: none"> ● ISO/IEC 14443A, ISO/IEC 14443B PICC mode ● ISO/IEC 14443A, ISO/IEC 14443B PCD mode designed according to NFC Forum ● digital protocol T4T platform and ISO-DEP ● FeliCa PCD mode ● MIFARE PCD encryption mechanism (MIFARE 1K/4K) ● NFC Forum tags T1T, T2T, T3T, T4T and T5T NFCIP-1, NFCIP-2 protocol ● NFC Forum certification for P2P, reader and card mode ● FeliCa PICC mode ● ISO/IEC 15693/ICODE VCD mode 	Operating Temperature	-10° C ~ 65° C (14°F-149°F) 0° C ~ 55° C (32°F-131°F)(charging)	
NFC Forum-compliant embedded T4T for NDEF short record		Storage Temperature	-20° C ~70° C		
			ENVIRONMENT		

All in One Cable



All in one Cable

Power	×1
ACC	×1
RS232	×2
USB2.0 (Type-A)	×1
Analog Input	×1 (optional)
RJ45 (10/100)	×1 (optional)
CANBUS	optional (CAN 2.0b×1 / CAN 2.0b×2)
RS485	×1 (optional)
GPIO (Positive Trigger Input)	GPI×3, GPO×3 (standard)
	GPI×3, GPO×2 (The power output occupies GPO_3)
Power Output/Video In/Audio Out (1 of 3) (optional)	Power output (12V, DC 2A out, occupies GPO_3); Video in supports 720×480, 720×576 resolution (Can not use with Type-C simultaneously)



Accessories



- Screws
- Torx wrench (T8, T20)



USB to Type-C cable (optional)



Power adaptor (optional)



RAM-101U

RAM 1.5" Double Ball Mount with Backing Plate (optional)