



# SUPER 10.4" PPC

10.4 " Fanless Panel PC with  
Intel® Elkhart Lake ATOM® 6000 series Processor

## Features:

- 10.4" LCD with Resistive touch screen
- Intel® Elkhart Lake ATOM® x6413E / J6412 CPU
- 1 x DDR4 SODIMM, Max. 32GB
- 2 x 2.5GbE, 3 x COM, DVI, HDMI, 4 x USB
- Wide Range 9~36V DC input
- Plastic (ABS) housing

## Specifications :

Motherboard	3I640CW	
CPU	Intel® Elkhart Lake ATOM x6413E Quad Core 3.0 GHz CPU Intel® Elkhart Lake Celeron J6412 Quad Core 2.6 GHz CPU	
Chipset	Intel® Elkhart Lake SoC	
Memory	1 x DDR4 SODIMM, Max. 32GB	
Storage	SSD, M.2	
Expansion slots	1 x M.2 B Key Type 2242 / 3042 (SATA / USB 2.0 / USB 3.0) 1 x M.2 B Key Type 2242 (PCIe x2 / USB 2.0), support NVMe 1 x Mini PCIe (USB 2.0 / PCIe) 1 x Mini SIM	
I/O ports	Network	2 x Intel 2.5 GbE
	USB	2 x USB 3.0 2 x USB 2.0
	Serial ports	2 x RS232 / 422 / 485 1 x RS232
	Display	1 x DVI, 1 x HDMI
	HD Audio	Line-out / Mic-in
Optional Modules & Function	4G / 5G, Wifi 6, Bluetooth, Digital I/O *HDD Kit, *VESA Mount Kit *External power adapter	
Certification	CE / FCC	
OS Support	Windows® 11 IOT , Windows® 10 IOT Ubuntu 22.04 above, Fedora 36 above	

## Mechanical

Dimensions	296W x 250.4D x 66.79H mm
Weight	1.9 kg
Mounting	Support Wall Mount (Panel Mount) VESA mount & Stand (optional)

## Power

DC input	+9~36V
AC input	External adapter 100 / 240V, AC-DC (optional)

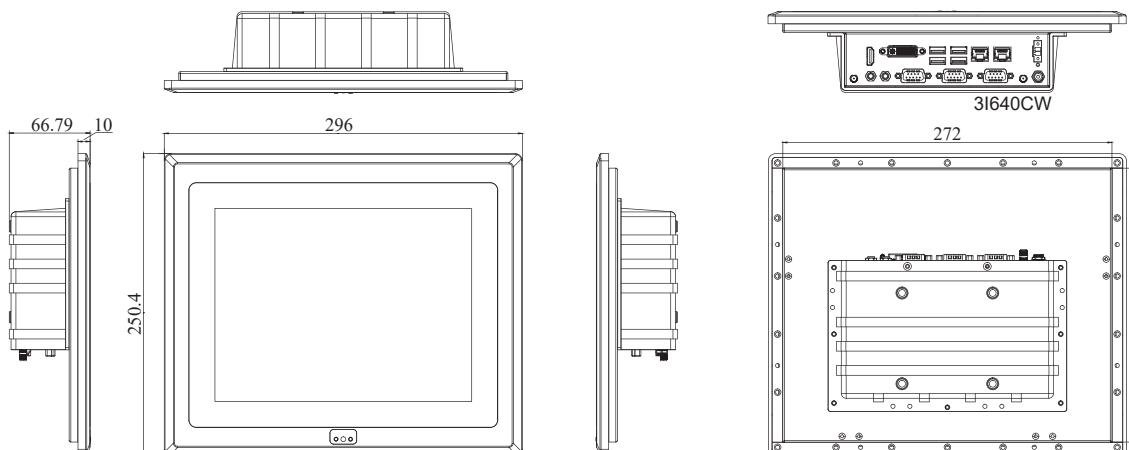
## LCD Display & Touch

Display Type	10.4 inch 4:3
Max. Resolution	1024 x 768
Viewing Angle	80(U) 80(D) 80(R) 80(L)
Luminance (cd/m2)	500
Contrast Ratio	1000:1
Touch Type	Resistive Touch Screen (Capacitive-Option)

## Environment

Operating Temp. (100 % CPU usage)	-20°C to +60°C with SSD
Storage Temp.	-20°C to +70°C
Relative Humidity	95% @ 40°C, non-condensing
IP Rating	Front panel IP65 Compliant

## Dimension



Specification are subject to change without prior notice. ODM / OEM is available.